



www.telecomtender.com



Prod.

Rack 19" , Open Frame

Prod No.

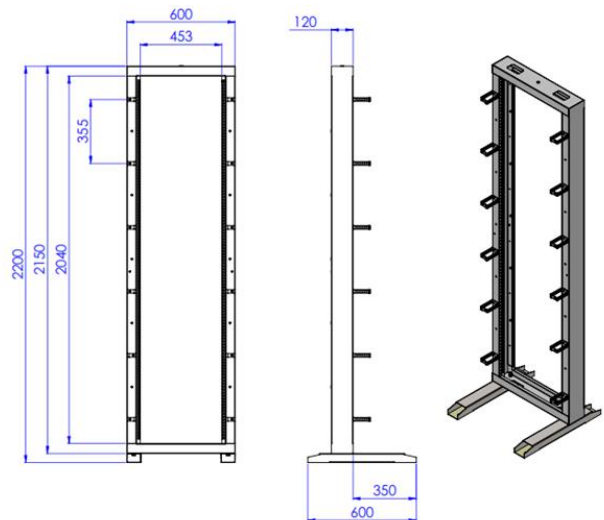
FC-RA-19-M1

Application and Properties:

Rack 19" (open frame) is used to mount rackmount network equipment such as 19 inch patch panel, 19 inch fuse panel etc and also to manage cables in telecommunication salons, devices salon and data centers.

- Other Details

- Optimizing occupied space and holding heavy equipment.
- Easy cable management by embedding the clamp on rock body to hold cable
- Available in both height: 180 cm and 220 cm
- Quick assembly of equipment by using special holes and rivets.
- Using stainless steel ST37 with 1.5 mm thickness to increase strength of structure
- Using electrostatic powder coating RAL 7035.
- Available accessories according to customer request
- Easy installation and & maintenance.



- Technical Specification

Specification	Parameter
Rack unit	42 U
Overall height (mm)	1800 or 2200
Width (mm)	600
Depth (mm)	600
Material	Steel ST37
Standard	EIA/ECA-310-E
Weight (kg)	23.5