



Product.

Grounding Kits AN1 - 1/2"

Prod No.

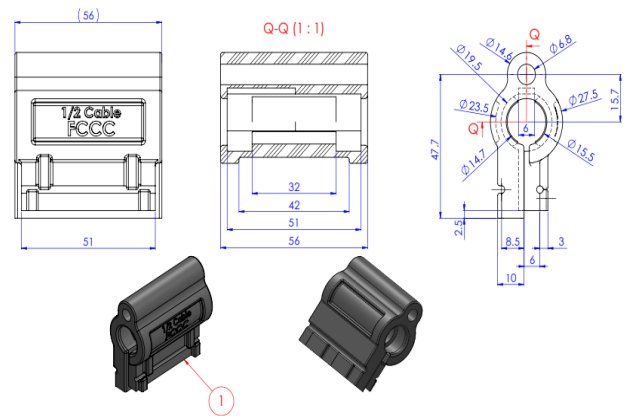
FC-GK-12-AN1

Application and Properties:

- A grounding kit diverts transient currents from lightning off the transmission line to an earth grounding system to prevent damage to cable and radio equipment.

- Other Details

- Quality of the product is tested according to IEC and MIL Standards.
- Self-locking, self-sealing weatherproof enclosure eliminates loose hardware
- Waterproof according to IP68 .



- Technical Specification

Nominal Size	½ in or 7/8 in	
Cable Type	Corrugated Smoothwall	
Grounding Kit Type	Compact SureGround Grounding Kits	
Compatible Diameter, maximum	½ in	15.5 mm
	in 7/8	27.00mm
Compatible Diameter, minimum	½ in	14.7 mm
	7/8 in	25.2 mm
Bonding Conductor Wire Size	½ in	16 mm ²
	7/8 in	110 mm ²
Color	Black	
Bonding Conductor Jacketing Material	PVC	
Grounding Strap Material	Tinned copper	
Locking Bail Material	Stainless steel	
Lug Attachment	Factory attached	
Lug Type	Twohole lug	
Package Quantity	1	
Rivet Material	Tinned copper	
Weatherproofing Method	Tinned copper strap contact overmolded with EPDM rubber	

