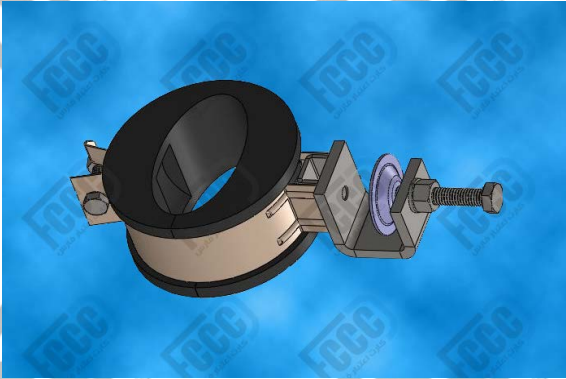


- Information



www.telecomtender.com



Product.

6 GHz Waveguide Clamp

Prod No.

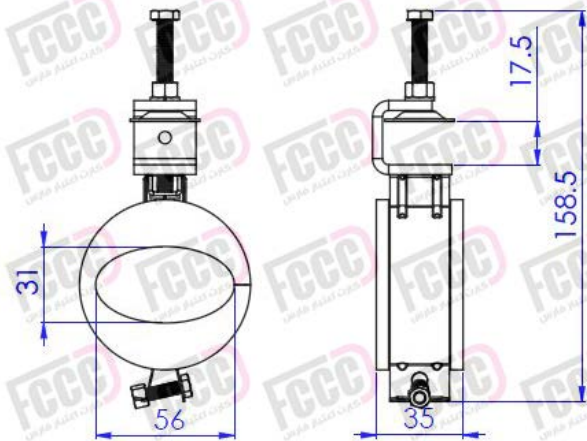
FC-169

Application and Properties:

6 GHz waveguide clamp setup an elliptical waveguide feeder on telecommunication ladders and towers that fixing one 6 GHz elliptical waveguide cable without any damage.

- Other Details

- Corrosion and UV Resistant
- Steel stainless
- High resistance to breakage
- Easy and fast installation.



- Technical Specification

Cable Size	E60/EP60 Waveguide (6 GHz)
metal component, Material	Stainless steel 304
Rubber component, Material	EPDM
Cable runs	1
Resistance to corrosion	High
Temperature Operation	-60 to +85 (°c)
Resistance to humidity	100 %